

www.ericksonmfg.com
ERICKSON
MANUFACTURING LTD.

MANUAL



ITEM# 07300

- Read, understand, follow and save all instructions before attaching and/or using product. NEVER allow anyone unfamiliar with these instructions to use this product.
- Read, understand, follow and save all instructions provided by the manufacturer of the product(s) that this ramp will be used with.
- Failure to follow these warnings and instructions may result in property damage, serious bodily injury, and/or death.
- Exercise extreme caution when loading or unloading your equipment.
- DO NOT exceed 750 lbs. gross weight per ramp.
- Replace worn, broken or brittle planks immediately.
- If loading or unloading from a vehicle, be sure the vehicle is parked with emergency brake ON and engine OFF.
- Park on solid, level surface.
- Ramp tops must be securely positioned on loading surface while loading and or unloading.
- DO NOT ride or drive powered equipment up or down the ramp. Pull with winch or push.
- DO NOT attempt to load or unload power equipment with engine running.
- DO NOT leave ramps unattended when attached.

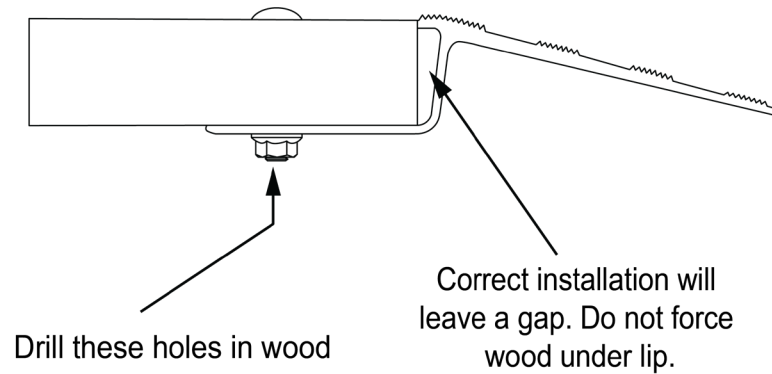
IMPORTANT NOTICE ABOUT LOADING ON A TAILGATE

- Erickson Manufacturing does not recommend the loading or unloading of equipment on a tailgate.
- It is recommended that if you choose to load or unload using a tailgate that you take the proper precautions and support your tailgate with a approved Tailgate Support.
- For more information visit www.dgmtailgatesupport.com

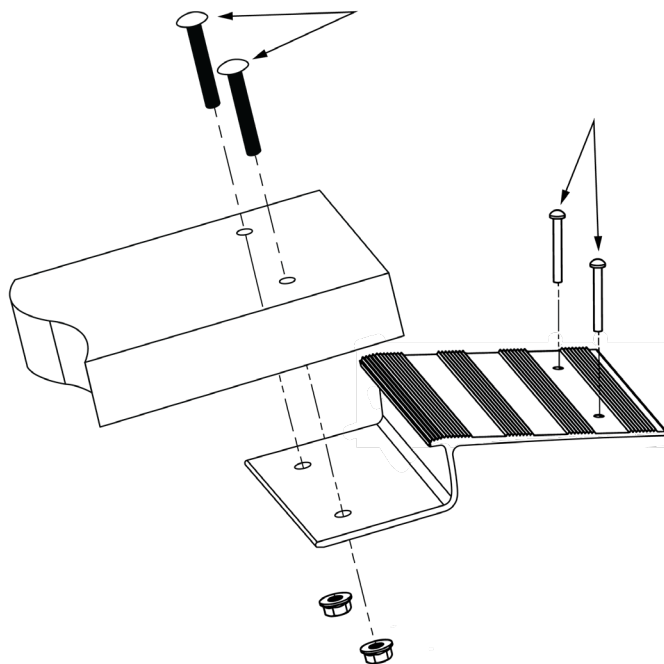


RAMP PLATE INSTALLATION

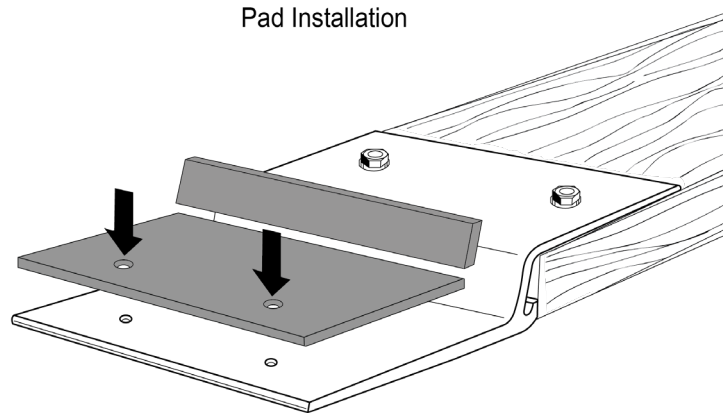
1. After plank has been cut to proper length, insert plank into ramptop and mark holes for drilling.



2. Remove ramp plate and drill holes using 5/16" bit.
3. Bolt one ramp top to each plank, using hardware supplied in kit.
Carriage bolt with square shoulder under head will press into wood to prevent turning.
Orient bolts as shown in FIG 2.



4. Remove adhesive backing on peel and stick pads. Apply large pad to ramp surface, aligning holes. Apply small pad to back edge. FIG 3.



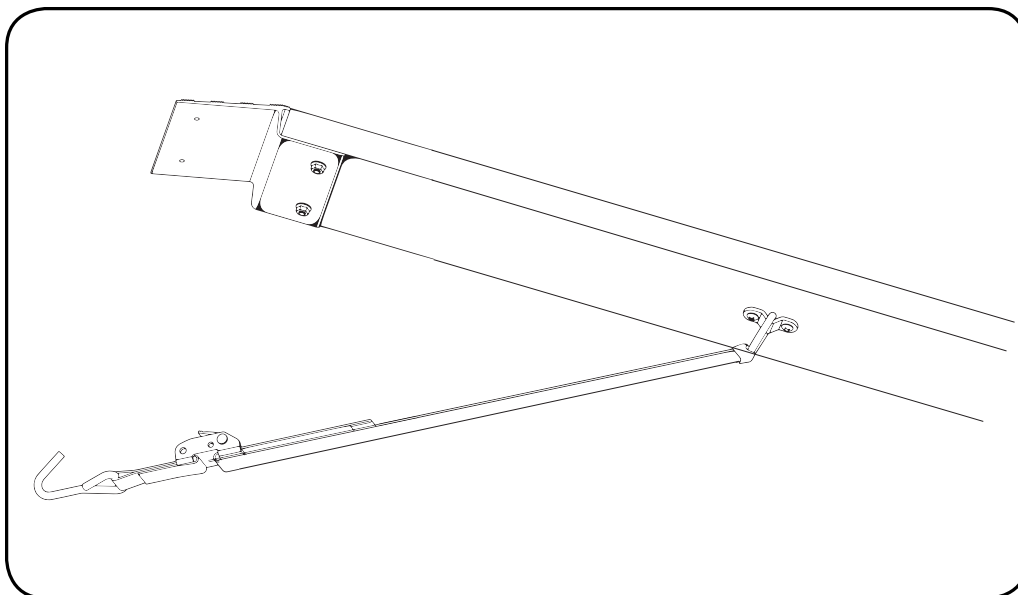
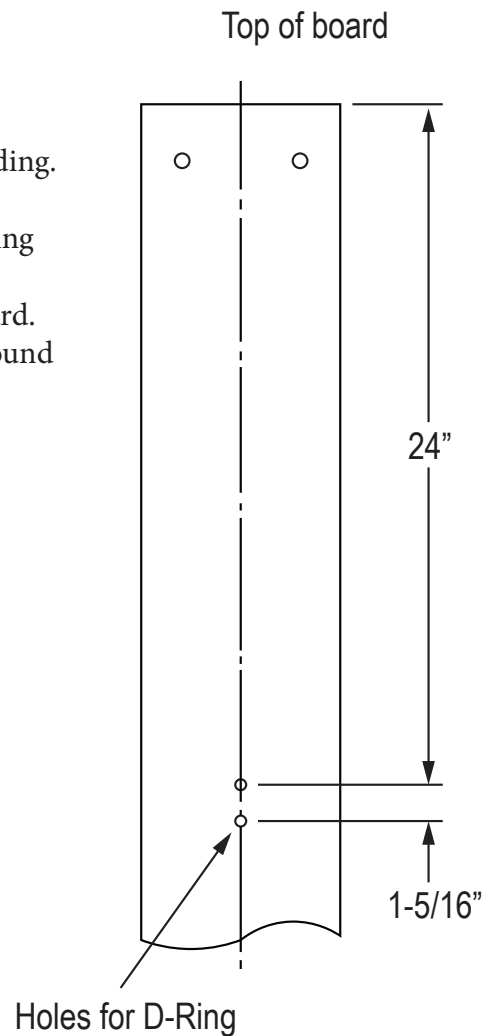
D-RING AND SAFETY STRAP INSTALLATION

Safety straps help to limit ramp movement when loading and unloading.

1. Drill two 3/16" pilot holes at 24" from top of board to mount D-ring to bottom side of board. FIG. 6.
2. Use supplied #12 wood screws to attach D-ring and bracket to board.
3. Attach safety strap (not included) by looping sewn end of strap around and through the D-ring. FIG. 7. Pull taught.
4. Attach hook end of safety strap to a structural member of the loading vehicle/trailer (i.e. hitch, bumper, frame).
5. Straps should be in line with the ramps, and secured tightly to the loading vehicle/trailer to limit any movement while loading or unloading.

PLEASE NOTE: SAFETY STRAPS ARE NOT INCLUDED.
PURCHASE ERICKSON ITEM

07431
1" x 5' - 750 lb.
RAMP SAFETY STRAP



Warranty Qualifications

Effective from the day you purchase the product. Please keep your dated purchase invoice as proof.

Repair/Replacement Warranty

Erickson Manufacturing Ltd. warrants to the original purchaser that the mechanical components will be free of defect in material and workmanship for 90 days from the original date of purchase. Transportation charges on product submitted for repair or replacement under warranty are the sole responsibility of the purchaser. This warranty only applies to the original purchaser and is not transferable.

Do Not Return The Unit to the Place of Purchase

Contact Erickson Manufacturing Ltd's Technical Service and service people will troubleshoot any issue via phone or email. Repairs or replacements without prior authorization, or at an unauthorized repair facility, will not be covered by this warranty.

Warranty Exclusions

This warranty does not cover the following repairs and equipment:

Normal Wear

This warranty does not cover the repair when use has exhausted the life of a part or the equipment as a whole.

Installation, Use and Maintenance

This warranty will not apply to parts and/or labor if this product is deemed to have been misused, neglected, involved in an accident, abused, loaded beyond specifications, modified, or installed improperly. Normal maintenance is not covered by this warranty.

Other Exclusions

This warranty excludes:

- Cosmetic defect such as paint, decal etc.
- Wear items
- Accessory parts
- Failures due to acts of God and other force majeure events beyond the manufacturer's control.
- Problems cause by parts that are not Erickson Manufacturing Ltd. parts.

Limits of implied Warranty and Consequential Damage

Erickson Manufacturing Ltd. disclaims any obligation to cover any loss time, use of this product, freight, or any incidental or consequential claim by anyone from using this product. THIS WARRANTY IS IN LIEU OF ALL OTHER WARRANTIES EXPRESS OR IMPLIED, INCLUDING WARRANTIES OF MERCHANTABILITY OR FITNESS FOR A PARTICULAR PURPOSE. A unit provided as exchange will be subject to the warranty of the original unit. The length of the warranty governing the exchanged unit will remain calculated by reference to the purchase date of the original unit. This warranty gives you certain legal rights which may change from state to state. Your state and/or province may also have other right you may be entitled to that are not listed within this warranty.

Contact Information

Marine City, Michigan 48039

Thamesville, Ontario N0P 2K0

Toll Free: 1-888-546-4668