

Tri-Fold Aluminum Loading Ramp

To avoid personal injury and/or property damage, please read and follow
ALL instructions before assembling and operating.



1. Never overload ramps. Maximum capacity for your ramp is 1500 lb. (Evenly distributed load).
2. Always use safety strap to securely fasten the ramp to the vehicle. This prevents the ramp from slipping off the back of the truck.
3. Carefully roll or winch equipment up or down the ramp. Never drive or ride your equipment while loading or unloading. Erickson Manufacturing is not responsible for any damage or injuries that can occur when loading and un-loading. **USE AT YOUR OWN RISK!**
4. Make sure the ramp is aligned with the wheels of the equipment being loaded or unloaded.
5. Always load or unload on a solid, level and stable surface with the vehicle in gear, the parking/emergency brake on, and engine off.
6. Use as a loading ramp only.
7. Ramp surfaces must be clean, dry and free from oil, grease or water.
8. Maximum recommended height is 30 inches.
9. Inspect ramp before each use. Tighten any loose hardware. Replace any worn or damaged parts. Replace safety strap if webbing is frayed or worn. Do not attempt to use a ramp that is damaged in any way. No modification, alteration, or deviation to the ramp are authorized by the manufacturer. Proper care and maintenance of the ramp are essential to safety.
10. Proper use of this product is critical to safety, and beyond the control of Erickson Manufacturing Ltd. Erickson Manufacturing Ltd. neither guarantees nor is liable for any damage resulting from improper use. The liability of this product is limited to its purchase price if it proves to be defective in material and/or workmanship.

IMPORTANT NOTICE ABOUT LOADING ON A TAILGATE

- Erickson Manufacturing does not recommend the loading or unloading of equipment on a tailgate.
- It is recommended that if you choose to load or unload using a tailgate that you take the proper precautions and support your tailgate with a approved Tailgate Support.
- For more information visit www.dgmtailgatesupport.com



Specifications

Rated Capacity	1500 lb.
Ramp Dimensions (unfolded)	69" x 45"
Ramp Dimensions (folded)	5 ^{3/4} " x 69" x 15"

Usage

Step 1 Be sure you are loading on a hard, level and stable surface and that the vehicle you are loading into is parked with the emergency/parking brake in "Park" and the engine is "off". Unfold and place the lip of the ramp against the back of the vehicle.

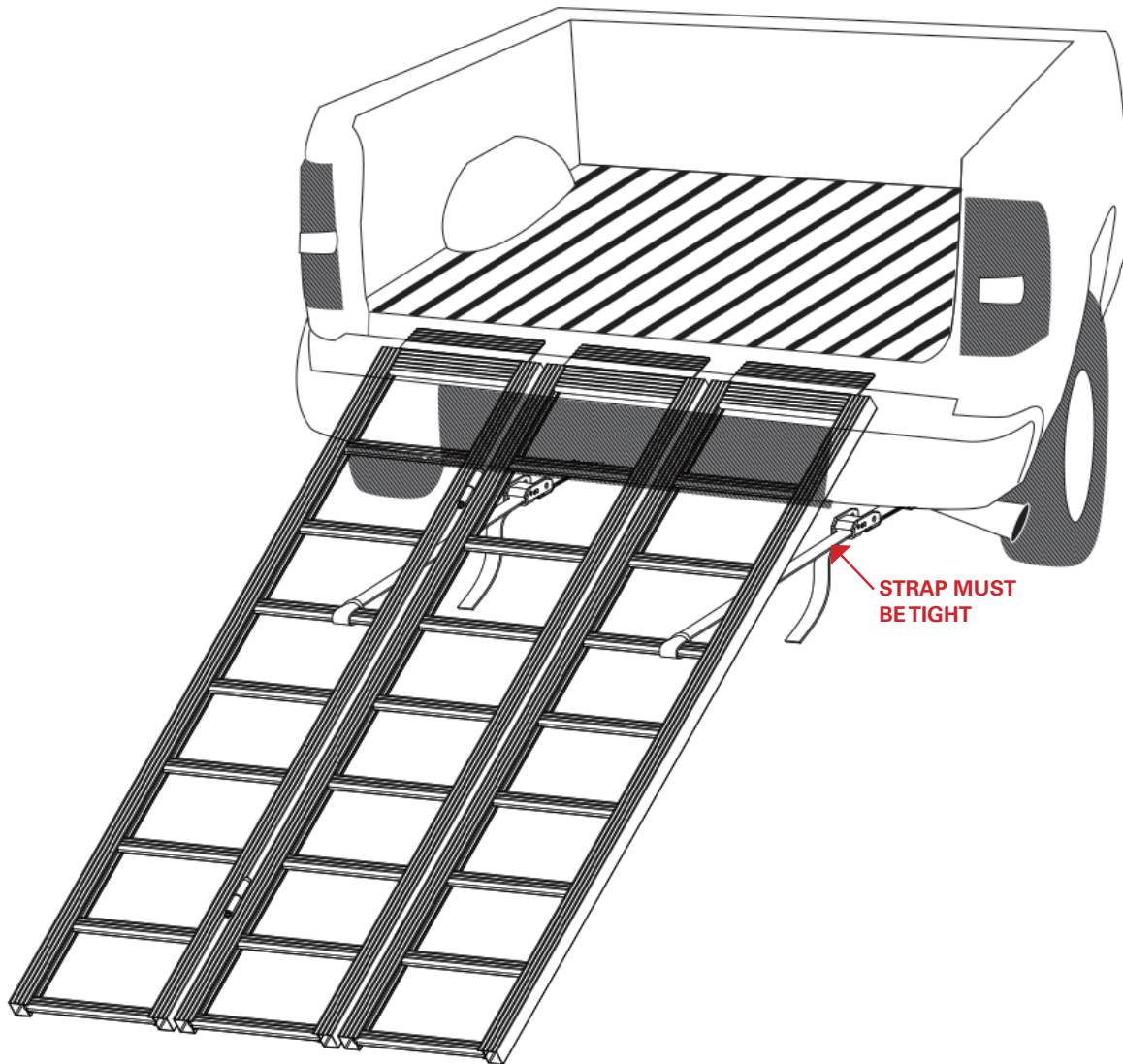
Step 2 Secure the ramp to the vehicle using the adjustable strap. After the strap is secure, test the ramp by pulling backwards on it. Make sure it does not slide back or disengage from the loading surface.

Step 3 Once the ramp is secure and the area is safe to proceed with loading, move the vehicle to be loaded between the ramps and center the load between both ramps.

Step 4 Proceed with loading the vehicle, making sure the ramp is sustaining the load and not bowing from weight.

Step 5 Continue until the vehicle is fully loaded. Secure the brake and tie down as needed.

Step 6 Unhook the adjustable strap and fold the ramp and lock into the folded position. Store in a clean, dry and safe place where damage will not occur.



Warranty

Warranty Qualifications

Effective from the day you purchase the product. Please keep your dated purchase invoice as proof.

Repair/Replacement Warranty

Erickson Manufacturing Ltd. warrants to the original purchaser that the mechanical components will be free of defect in material and workmanship for 90 days from the original date of purchase. Transportation charges on product submitted for repair or replacement under warranty are the sole responsibility of the purchaser. This warranty only applies to the original purchaser and is not transferable.

Do Not Return The Unit to the Place of Purchase

Contact Erickson Manufacturing Ltd's Technical Service and service people will troubleshoot any issue via phone or email. Repairs or replacements without prior authorization, or at an unauthorized repair facility, will not be covered by this warranty.

Warranty Exclusions

This warranty does not cover the following repairs and equipment:

Normal Wear

This warranty does not cover the repair when use has exhausted the life of a part or the equipment as a whole.

Installation, Use and Maintenance

This warranty will not apply to parts and/or labor if this product is deemed to have been misused, neglected, involved in an accident, abused, loaded beyond specifications, modified, or installed improperly. Normal maintenance is not covered by this warranty.

Other Exclusions

This warranty excludes:

- Cosmetic defect such as paint, decal etc.
- Wear items
- Accessory parts
- Failures due to acts of God and other force majeure events beyond the manufacturer's control.
- Problems cause by parts that are not Erickson Manufacturing Ltd. parts.

Limits of implied Warranty and Consequential Damage

Erickson Manufacturing Ltd. disclaims any obligation to cover any loss time, use of this product, freight, or any incidental or consequential claim by anyone from using this product. THIS WARRANTY IS IN LIEU OF ALL OTHER WARRANTIES EXPRESS OR IMPLIED, INCLUDING WARRANTIES OF MERCHANTABILITY OR FITNESS FOR A PARTICULAR PURPOSE. A unit provided as exchange will be subject to the warranty of the original unit. The length of the warranty governing the exchanged unit will remain calculated by reference to the purchase date of the original unit. This warranty gives you certain legal rights which may change from state to state. Your state and/or province may also have other right you may be entitled to that are not listed within this warranty.

Contact Information

Marine City, Michigan 48039

Thamesville, Ontario N0P 2K0

Toll Free: 1-888-546-4668