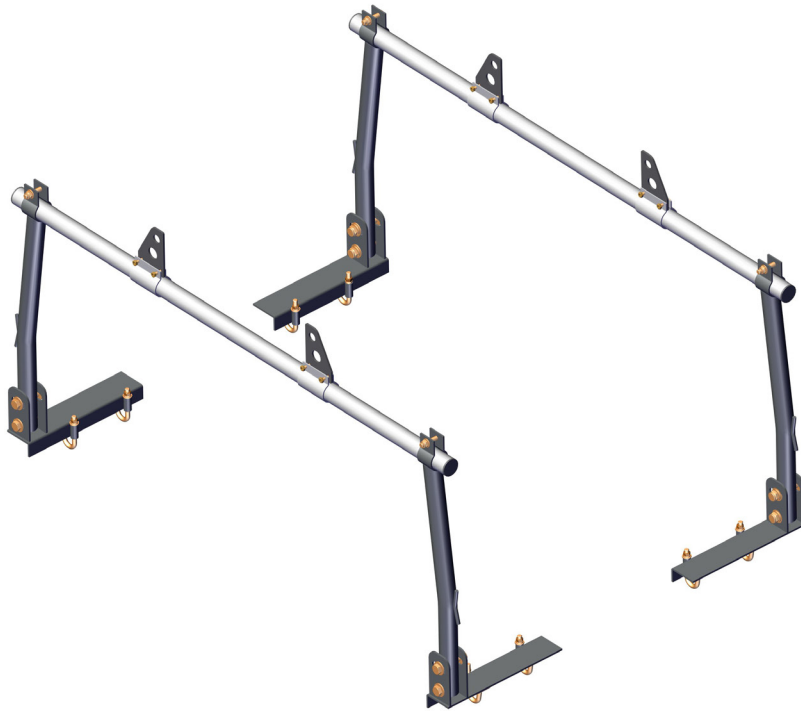
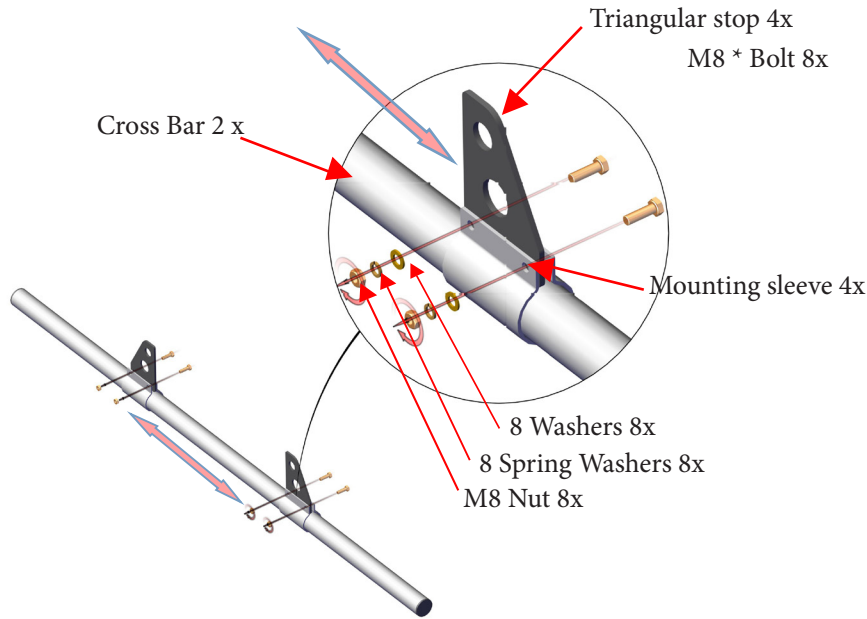


# 800 lb. STEEL TRUCK RACK INSTRUCTION MANUAL

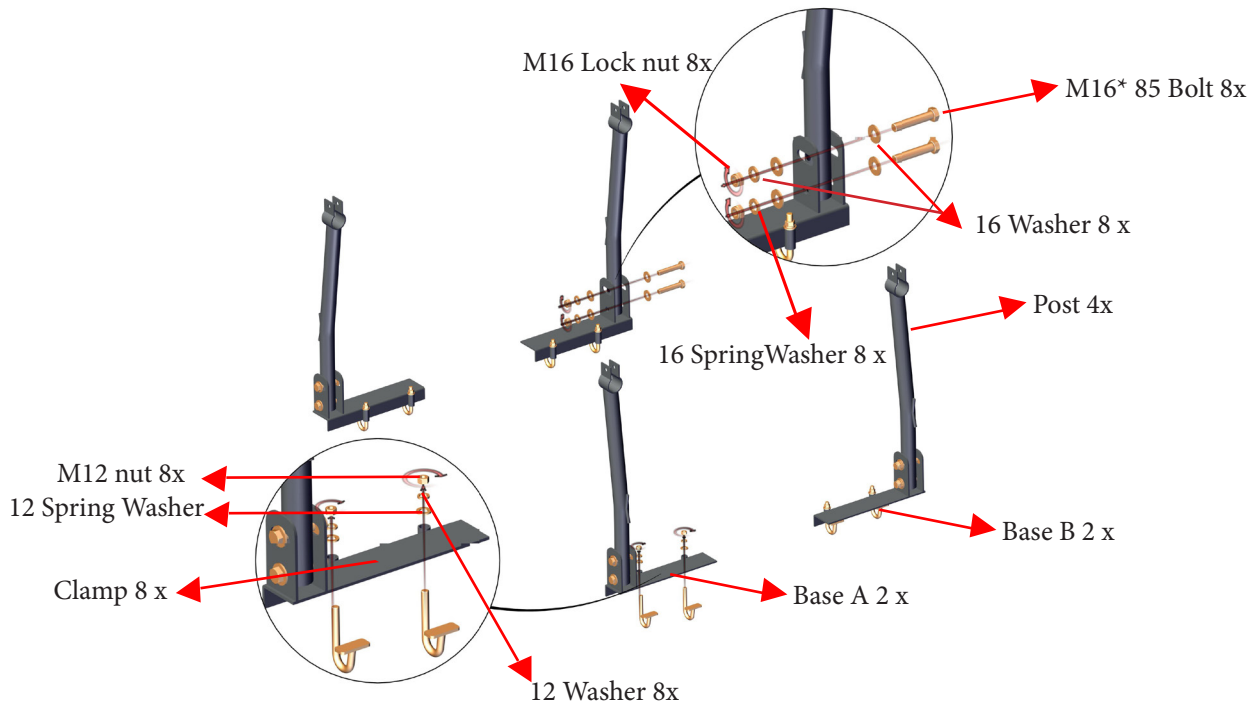


## READ ALL SAFETY WARNINGS AND INSTRUCTIONS.

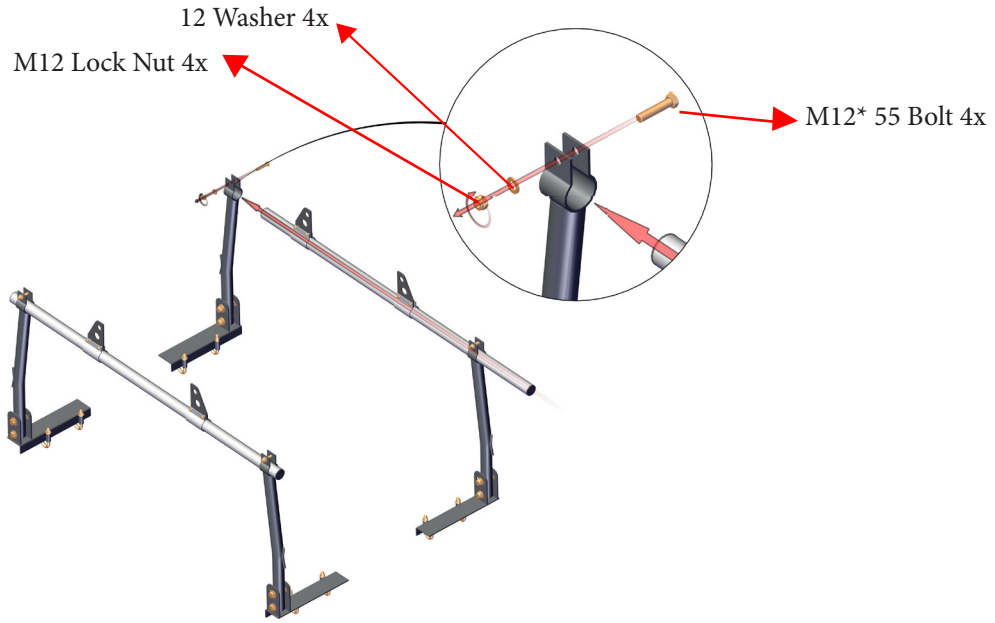
Failure to follow the warnings and instructions may result in serious injury.  
Save all warnings and instructions for future reference.



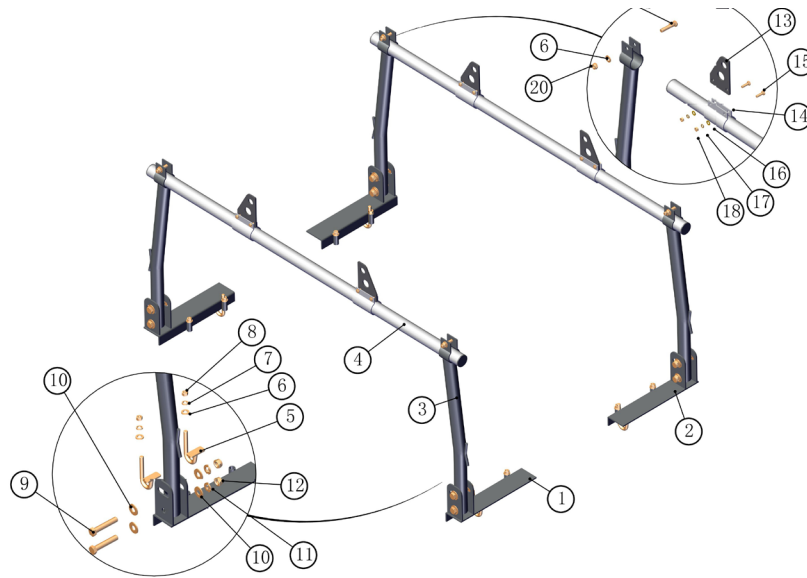
- Slide 2 mounting sleeves (14) onto one of the cross bars (4). Insert the triangular stops(13) into the mounting sleeve(14), secure with M8\*25 Bolts(15) and 8 washers(16),8 spring washers(17),M8 nuts(18). Repeat for 4 triangular stops.



- Take the bottom of the post (3) and line up the holes on the post (3) with the holes for the base(1&2), secure with M16\*85 bolts (9), 16 washers (10), 16 spring washers (11) and M16 lock nut (12). Repeat for 4 posts and bases.
- Place the base that connecting with post(3) on the side rail of truck bed, secure with clamp(5), and tighten with M12 nut(8), 12 washer(6), and 12 spring washer(7). Repeat for 4 bases.



4. Place the assembled cross bar onto the opening tops of each post (3), tighten with M12\*55 Bolts” (19), 12 washers (6), and M12 Lock nuts (20).



Item#	Description	Q'ty	Item#	Description	Q'ty
1	Base A	2	11	16 Spring washer	8
2	Base B	2	12	M16 Lock nut	8
3	Post	4	13	Triangular Stop	4
4	Cross Bar	2	14	Mounting sleeve	4
5	Clamp	8	15	M8*25 Bolt	8
6	12 washer	12	16	8 washer	8
7	12 spring washer	8	17	8 spring washer	8
8	M12 nut	8	18	M8 nut	8
9	M16*85 Bolt	8	19	M12*55 Bolt	4
10	16 Washer	16	20	M12 Lock nut	4

**READ ALL SAFETY WARNINGS AND INSTRUCTIONS.**

Failure to follow the warnings and instructions may result in serious injury.  
Save all warnings and instructions for future reference.

**INSTALLATION PRECAUTIONS**

1. Follow DOT regulations regarding installation and use.
2. Park truck on a flat, level, hard surface well away from traffic. Place transmission in park/neutral and set parking brake.
3. Verify that installation surface has no hidden wires before drilling or driving screws.
4. Install only according to these instructions. Improper installation can create hazards.
5. Wear ANSI-approved safety goggles and heavy-duty work gloves during assembly and installation.
6. Mount Truck Rack securely to vehicle.
7. Keep installation area clean and well lit.
8. Keep bystanders out of the area during installation.
9. Do not install when tired or when under the influence of drugs or medication.
10. Weight capacity and other product capabilities apply to properly and completely installed product only.

**USE PRECAUTIONS**

1. Do not exceed rated weight capacity of Truck Rack, distributed evenly.  
Be aware of dynamic loading! Sudden load movement may briefly create excess load causing product failure.
2. Do not exceed rated weight capacity of truck. Refer to truck's Gross Vehicle Weight Rating.
3. Strap load securely to Truck Rack.
4. Use as intended only.
5. Inspect before every use; do not use if parts loose or damaged.
6. This product is not a toy. Do not allow children to play with or near this item.
7. Maintain product labels and nameplates. These carry important safety information.
8. The warnings, precautions, and instructions discussed in this instruction manual cannot cover all possible conditions and situations that may occur. It must be understood by the operator that common sense and caution are factors which cannot be built into this product, but must be supplied by the operator.

**WARRANTY EXCLUSIONS**

This warranty does not cover the following repairs and equipment:

**NORMAL WEAR**

This warranty does not cover the repair when use has exhausted the life of a part or the equipment as a whole.

**INSTALLATION, USE AND MAINTENANCE**

This warranty will not apply to parts and/or labor if this product is deemed to have been misused, neglected, involved in an accident, abused, loaded beyond specifications, modified, or installed improperly. Normal maintenance is not covered by this warranty.

**OTHER EXCLUSIONS****THIS WARRANTY EXCLUDES:**

- Cosmetic defect such as paint, decal etc.
- Wear items
- Accessory parts
- Failures due to acts of God and other force majeure events beyond the manufacturer's control.
- Problems cause by parts that are not Erickson Manufacturing Ltd. parts.

**Limits of implied Warranty and Consequential Damage**

Erickson Manufacturing Ltd. disclaims any obligation to cover any loss time, use of this product, freight, or any incidental or consequential claim by anyone from using this product. THIS WARRANTY IS IN LIEU OF ALL OTHER WARRANTIES EXPRESS OR IMPLIED, INCLUDING WARRANTIES OF MERCHANTABILITY OR FITNESS FOR A PARTICULAR PURPOSE. A unit provided as exchange will be subject to the warranty of the original unit. The length of the warranty governing the exchanged unit will remain calculated by reference to the purchase date of the original unit. This warranty gives you certain legal rights which may change from state to state. Your state and/or province may also have other right you may be entitled to that are not listed within this warranty.

**Contact Information**

Marine City, Michigan 48039

Thamesville, Ontario N0P 2K0

Toll Free: 1-888-546-4668